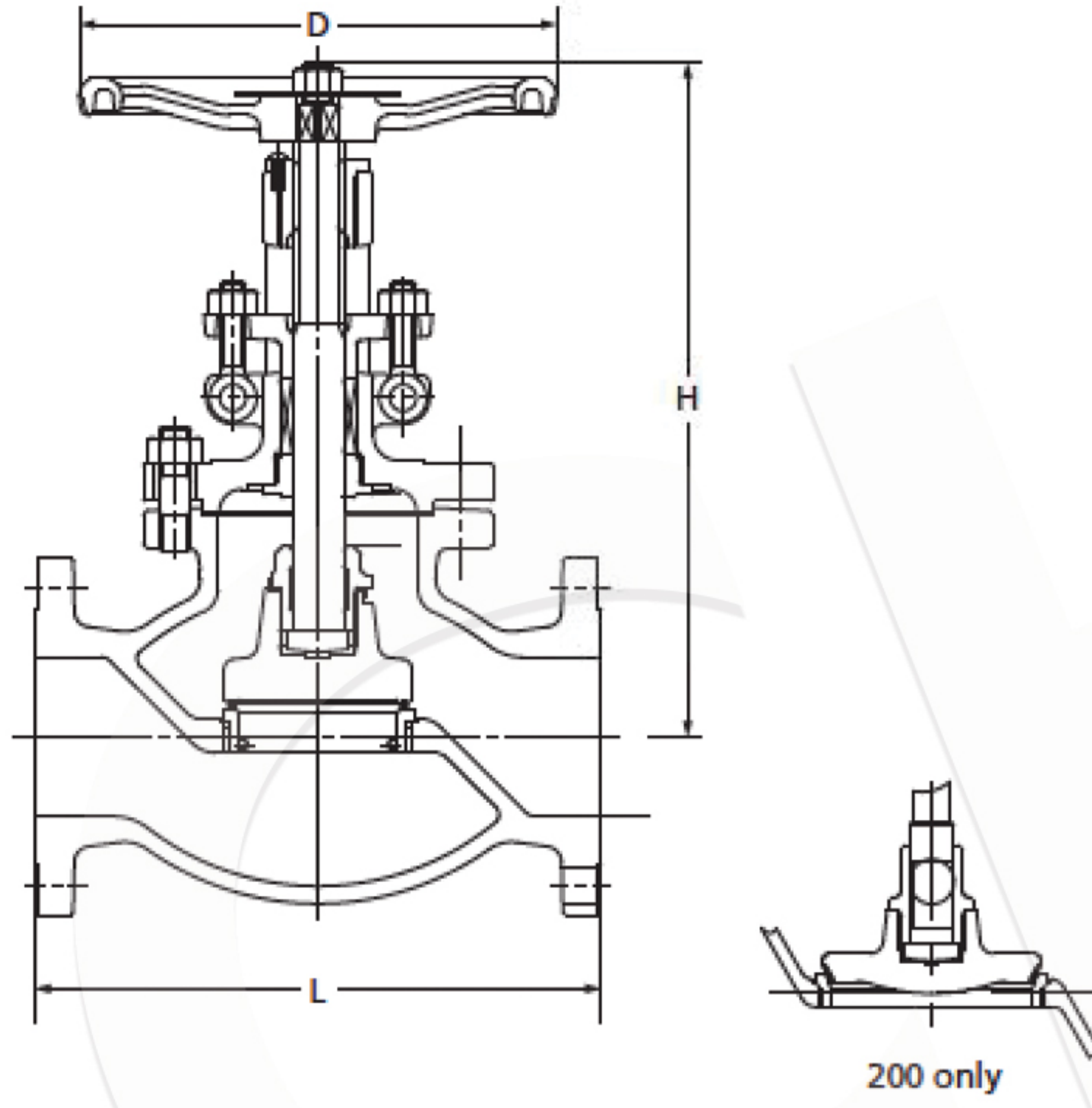


20K Globe Valve

20SYBO
B.B.O.S.Y.
RF-flanged



Face to face : JIS B 2002
End connection : JIS B 2239 20K

120°C Static water..... 2.8MPa
220°C Steam, air, gas, oil..... 2.5MPa
300°C Steam, air, gas, oil..... 2.3MPa
350°C Steam, air, gas, oil..... 2.0MPa

● Use for lubricating or hydraulic oil is acceptable. Contact KITZ Corporation for technical advice, if valves are used as heat transfer media.

Materials

Parts	JIS material
Body	FCD-S
Bonnet	FCD-S
Stem	SUS403
Disc	A105 + HF *
Lock nut	FCD-S (200 : SUS403)
Body seat ring	A105 + HF * (200 : SUS403 + HF*)
Gland	FCD-S
Gland packing	Flexible Graphite Braided Packing
Handwheel	FCD400
Wheel nut	SS400
Bonnet bolt/nut	Carbon Steel
Gland bolt/nut	Carbon Steel
Yoke bush	C6782BE
Gasket	Non-asbestos Sheet
Name plate	A1050P

* Hard-faced with Co-Cr-W alloy

Dimensions

Size	mm		mm						
	mm	inch	50	65	80	100	125	150	200
L	267	292	318	356	400	444	559		
H (open)	295	341	372	449	534	600	693		
D	225	250	250	300	350	400	560		

NOTE : For flange dimensions, refer to Page 44.